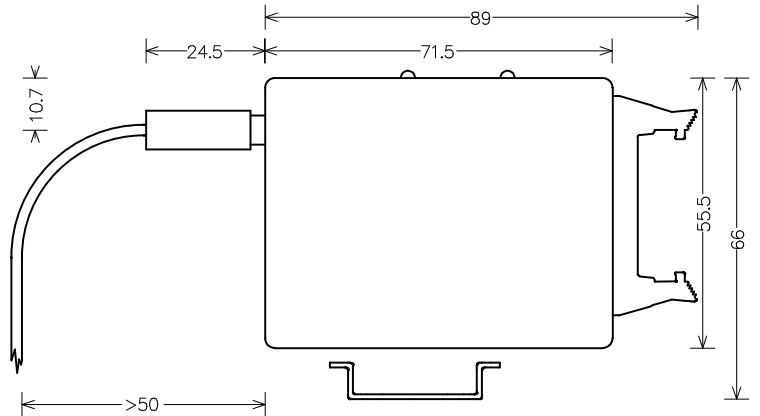
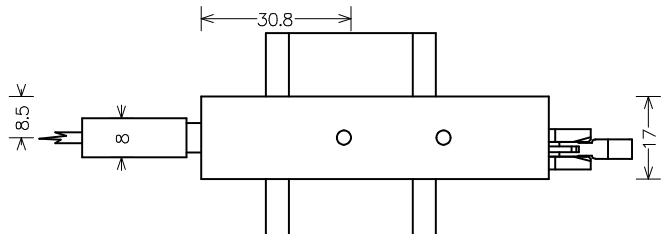
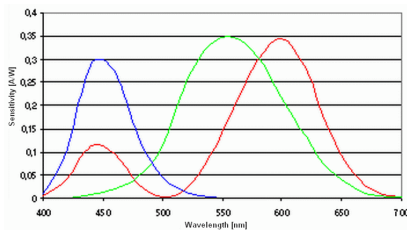




Data sheet peripheral module MELOT-TCI-F



Alle Masse in mm
Toleranz +/-1



Order-No	MELOT-TCI-F
Test parameters	Color and intensity – twinkling products, pulse length >2ms, break time >1,5ms, detection pulse- and periodic time
Object	Purposeful selection of certain flashes from a well-known sequence
Connector	SMA plug
Gains	6
Resolution	12 Bit per gain step
Dynamics	> 89 dB
Electrical connector	Flat cable plug (Female) 20pin. Harting #09 18 520 6803 09