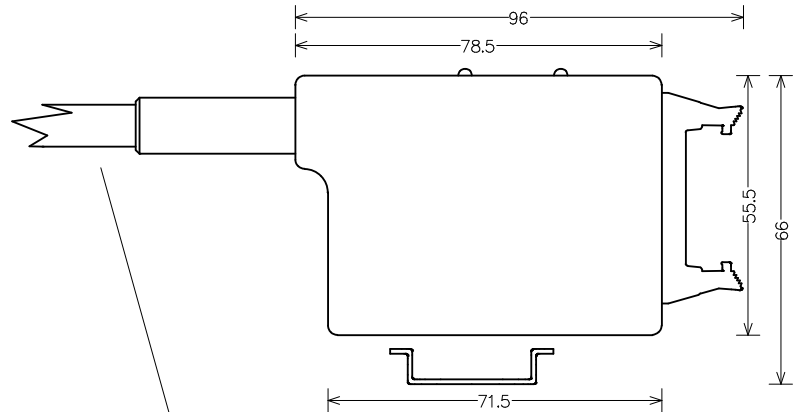
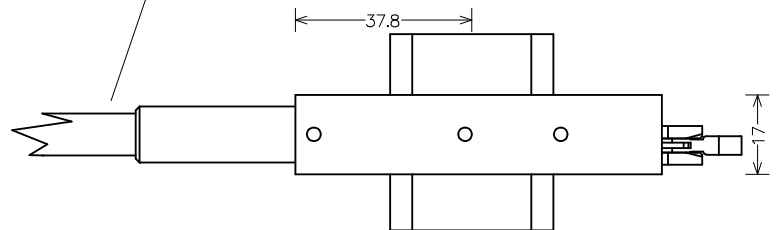
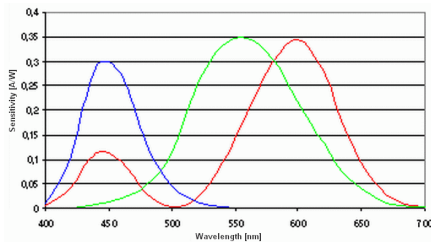


Data sheet peripheral module MELOT-TCI-G



Lichtleiter

Alle Masse in mm
Toleranz +/-1



Order-No	MELOT-TCI-G
Test parameters	Color and intensity – true color
Object	PWM 100%, pulse f >=2KHz
Connector	7mm
Gains	6
Resolution	12 Bit per gain step
Dynamics	> 89 dB
Electrical connector	Flat cable plug (Female) 20pin. Harting #09 18 520 6803 09