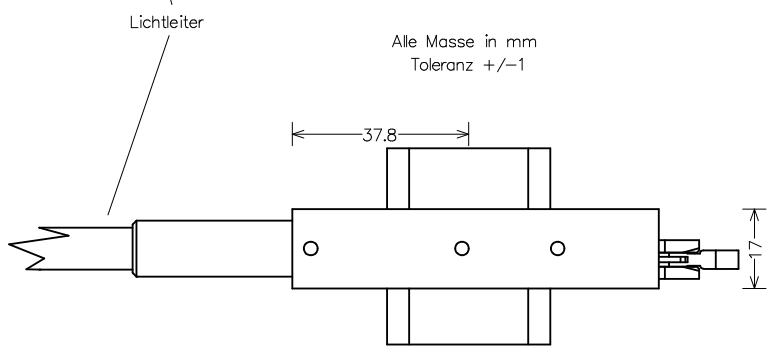
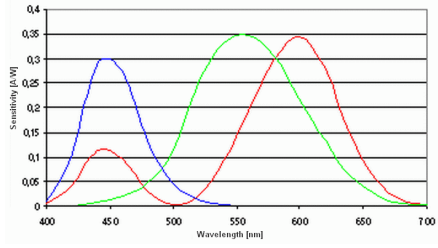
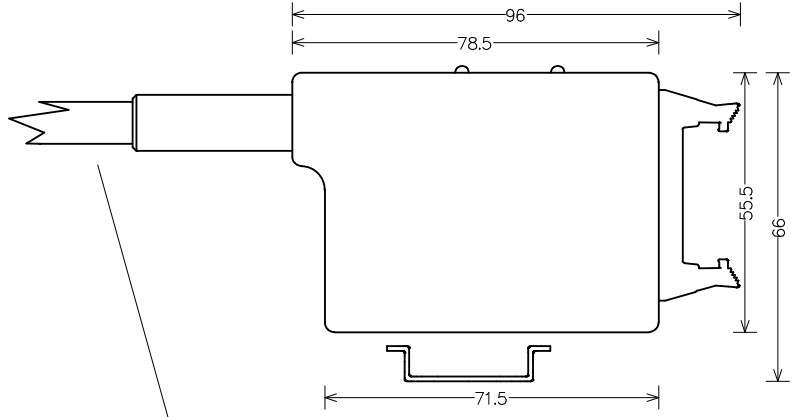


Data sheet peripheral module MELOT-TCI-G-L



Lichtleiter

Alle Masse in mm
Toleranz +/-1

Order-No	MELOT-TCI-G-L
Test parameters	Color and intensity
Object	100% PWM, pulse f >=200Hz
Connector	7mm
Gains	6
Resolution	12 Bit per gain step
Dynamics	> 89 dB
Electrical connector	Flat cable plug (Female) 20pin. Harting #09 18 520 6803 09