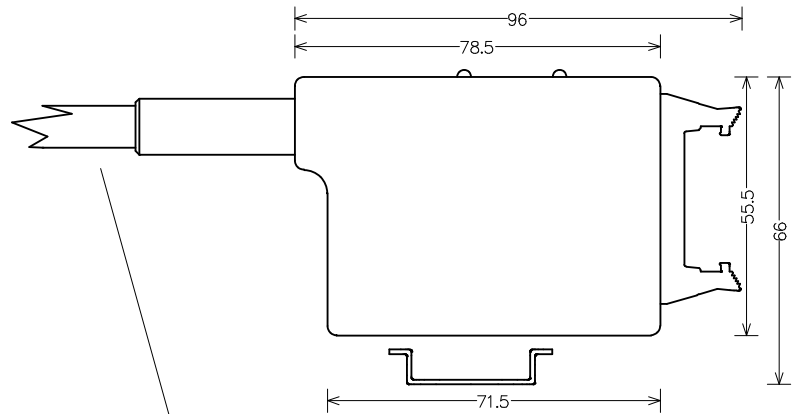
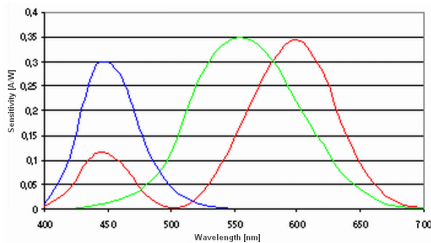
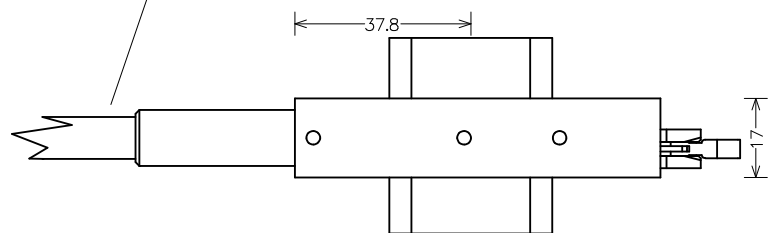


Data sheet peripheral module MELOT-TCUG-7



Alle Masse in mm
Toleranz +/-1



Order-No	MELOT-TCUG-7
Test parameters	Color and intensity - objects of lowly intensity up to <0,4Cd
Object	100% PWM, pulse >2KHz
Connector	7mm
Gains	6
Resolution	12 Bit per gain step
Dynamics	> 89 dB
Electrical connector	Flat cable plug (Female) 20pin. Harting #09 18 520 6803 09