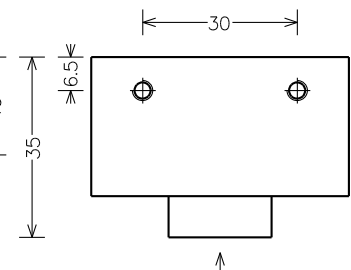
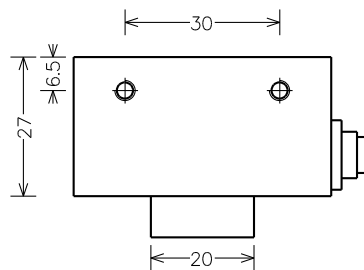
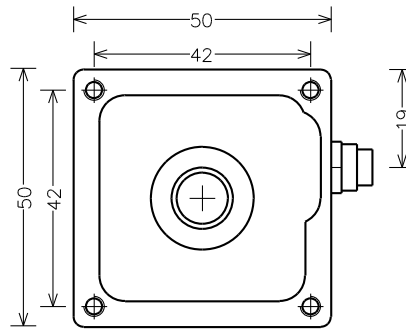
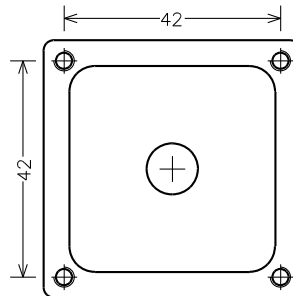


# Data sheet Lighting unit PR-B-002



↑  
Insert light guide here



All threads M4  
All dimensions in mm  
Tolerance +/- 1

← Electrical connection

## Applicable light guides:

- VE-LL-001-1-1000

Part number	PR-B-002
Power supply	24V DC +10%/-5%, from colour sensor
Lghting	selections LED white
Current	constant current control
Connector	Binder series 711, 3-pole male
Pin connecting	pin 1 – pulse, pin 2 – NC, pin 3 - 0V DC

## Safety note:

The lighting is equipped with a very intensive luminescent light source. Please avoid direct eye contact by all means, as this might lead to considerable impairment of vision!