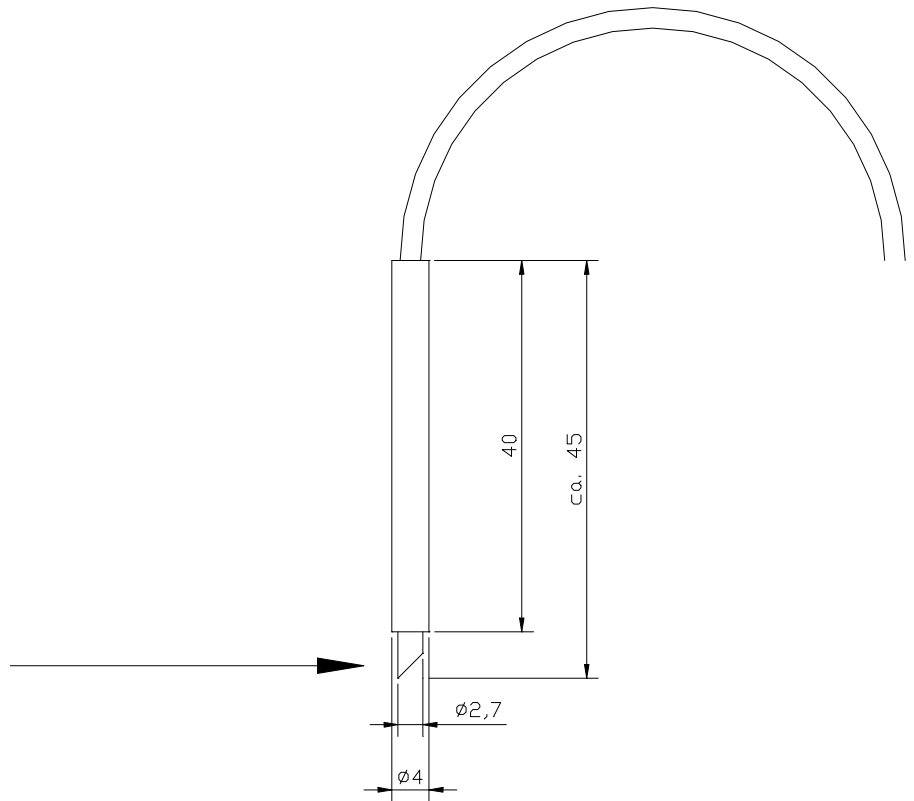




Datasheet light guide plastic PR-LL-K1-1-W...



Part number	PR-LL-K1-1-W.... (Length in mm)
Material	Plastic 1mm POF (16x250um)
Core diameter	1mm
External diameter	2,2 +/-0,1mm
Aperture angle	60°
Length	500, 1000 mm
Bending radius	35 mm min.
Constant tensile strength	10 N max.
Operating temperature	-30 to +70 degrees °C