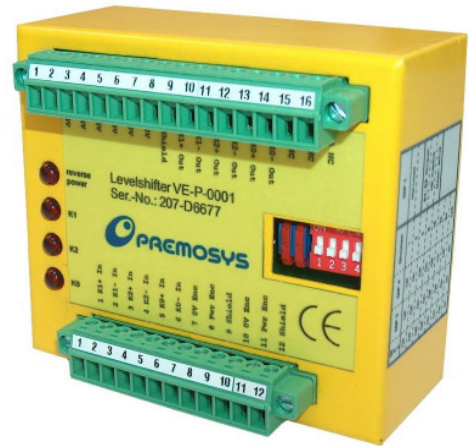


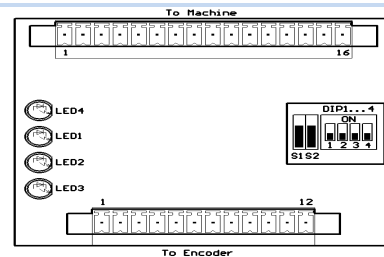


Level shifter VE-P-0001

The module serves for the conversion of encoder signals that are inducted by an encoder customary in trade. These signals can reach a level of 5V up to 24V direct current. Then, a potential-free conversion to output levels of 5V direct current with a RS422 characteristic is carried out. Additionally, the pulsing frequency of the output signals can be issued in splitting ratios of 1/2/4/8/16/32/64 and 128, whereby the metering can also be negated. Therefore, the user merely needs to throw a DIP switch. The splitting ratios only refer to the metering signals of the encoder (K1 and K2), the 0 signal of the encoder is issued undivided.



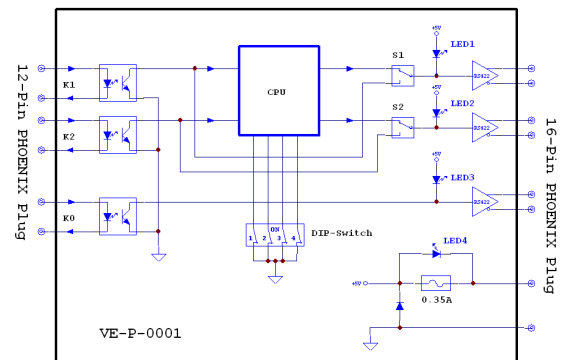
All junctions of the module are clearly marked and dispose of lockable plug connectors.



Technical data:

- 5 to 24V supply of encoder signals
- Output signals 5V RS 422
- Input frequency of up to 1 MHz
- Splitting ratios of 1 to 128
- Optical status display
- Assembly on a top hat rail
- Lockable plug connection

The input frequency of the module amounts to 1 MHz maximum for the signals that are not to be divided, or respectively 55 kHz for signals that are supposed to be issued in divided form.



Dimensions

- Length: app. 89mm
- Breadth: app. 78mm
- Height: app. 38mm

- Power supply
- 5 VDC (-5%/+10%), max. 0,1 A
- Weight: app. 300g